



Dealer Name: \_\_\_\_\_ Customer Tag: \_\_\_\_\_

Spa Manufacturer Brand: \_\_\_\_\_ Model: \_\_\_\_\_ Year: \_\_\_\_\_

Cover Taper 3 ▶ 2"  4 ▶ 2"  4 ▶ 3"  5 ▶ 3"  5 ▶ 4"  6 ▶ 4"  2lb Upgrade

Skirt Length: \_\_\_\_\_ Colour Name: \_\_\_\_\_

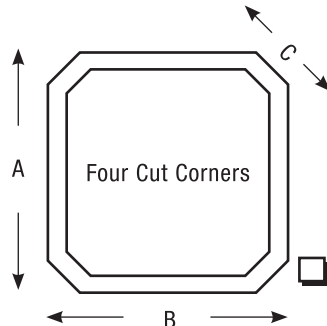
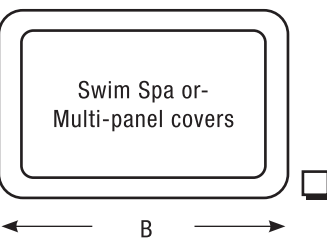
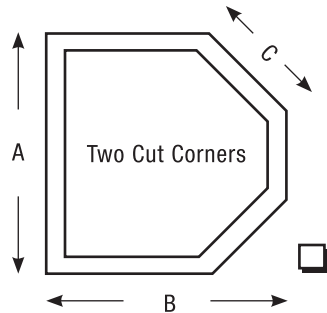
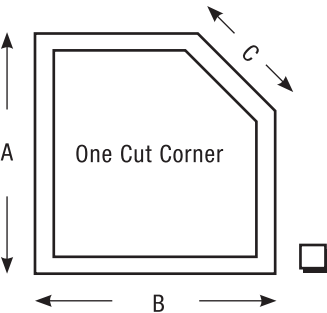
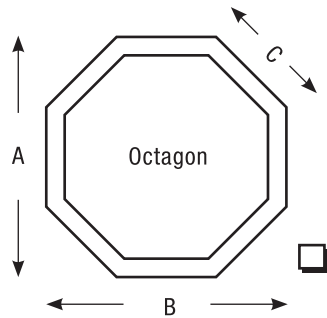
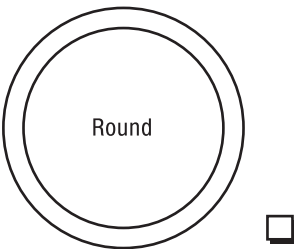
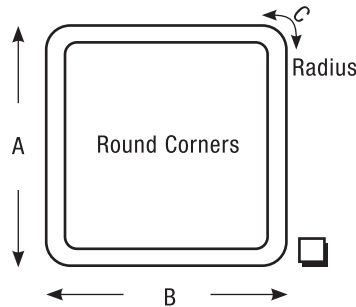
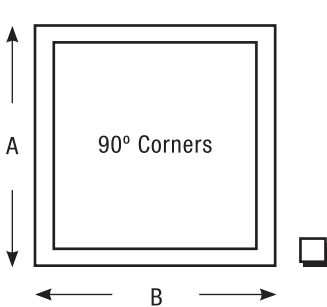
Covers are made as Bi-fold unless requested otherwise. Tri-Fold:  Quad-Fold:

Does your cover require speaker hoods? Yes.  2 or  4

Don't forget to add a cover cap and a lifter to complete your package. See price book for sizes and models

**Quick Ship**

**Please indicate fold directions. If direction is not indicated we will split the longest measurement.**



**Spa Cover Upgrades and bundles**

**Upgrade options.** \*See your price book for more options

- Overlap Skirt
- Full Centre Seal
- Vapour Barrier  4 mil  6 mil  8 mil
- Double Aluminum
- Seem Protector
- Reflective Liner

**OR choose an upgrade bundle**

- Better Cover** 4 mil vapour barrier  
Overlap skirt at centre  
Full foam centre seal
- Best Cover** 6 mil vapour barrier  
Overlap skirt at centre  
Full foam seal  
Set of 2 Rubber Handles

**Fill in Spa Dimensions Here:**

A	Inches	B	Inches
C	Inches		
<b>Special Instructions</b>			

**Signature:** Please sign and date below to verify all the information you have provided on this form is correct.

\_\_\_\_\_  
Your Signature

\_\_\_\_\_  
Date